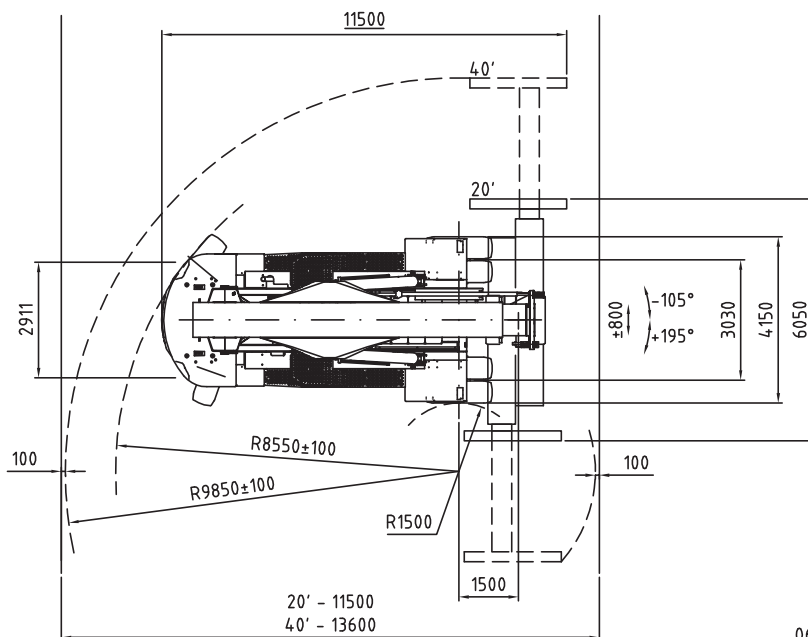
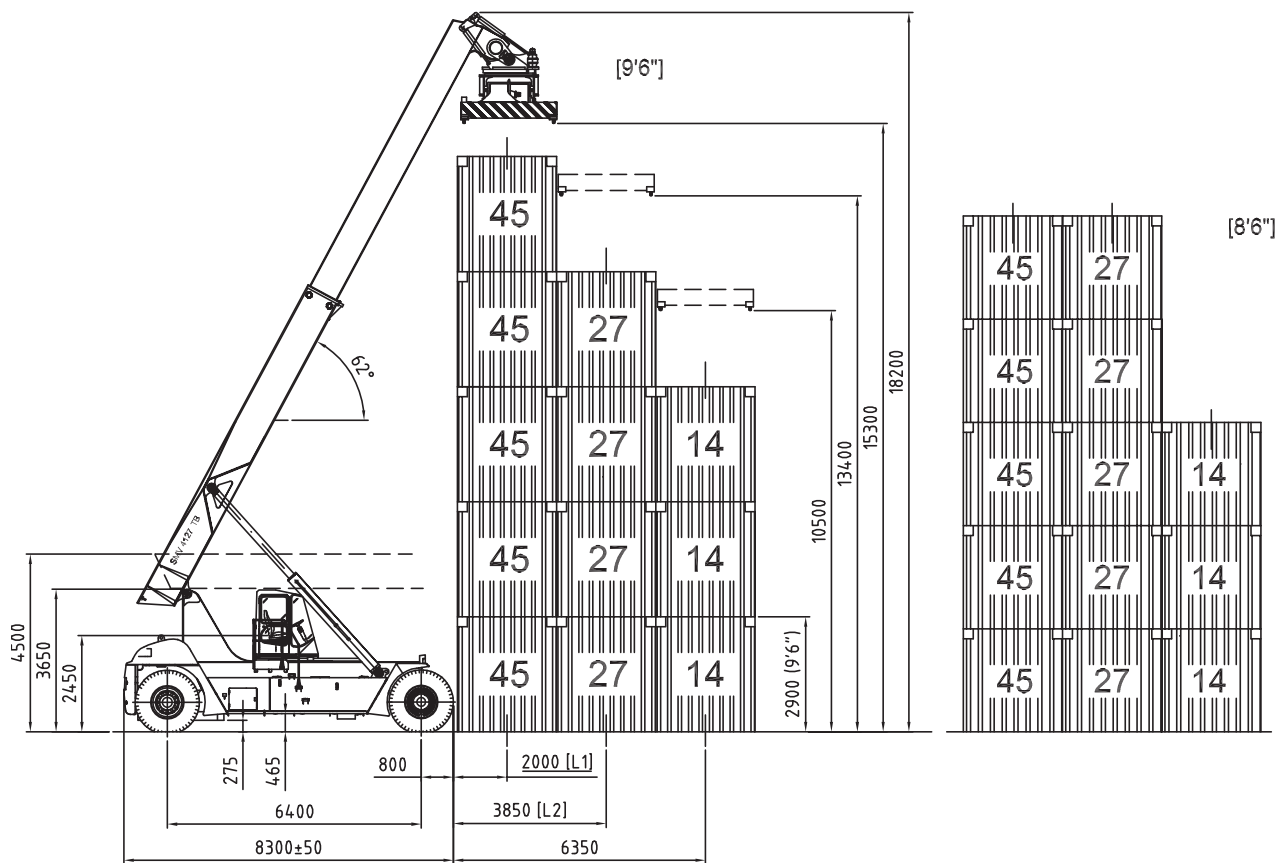


## TECHNICAL DATA

<b>Lifting data</b> Lift capacity at loadcenter L1 / maximum height Lift capacity at loadcenter L2 / maximum height Lift speed, unloaded / 40 % load / at rated load Lowering speed, unloaded / at rated load	kg kg m/s m/s	45000 / 45000 27000 / 27000 0,38 / 0,35 / 0,23 0,35 / 0,40
<b>Speeds</b> Speed forward, unloaded / at rated load Speed reverse, unloaded / at rated load Incline, driving ability / at rated load at 0 km h / 2 km h Towing ability at rated load at 0 km h / 2 km h	km/h km/h % kN	25 / 22,5 25 / 22,5 25 / 20 300 / 246
<b>Weight</b> Service weight Axle pressure front at loadcenter L1, unloaded / at rated load Axle pressure front at loadcenter L2, unloaded / at rated load Axle pressure rear at loadcenter L1, unloaded / at rated load Axle pressure rear at loadcenter L2, unloaded / at rated load Axle load in driving position, front / rear	kg kg kg kg kg kg	68500 37500 / 102200 42000 / 88600 31000 / 11300 26500 / 6900 93000 / 20450
<b>Engine (electronically controlled)</b> Make, type designation (*EU Stage II certified) Fuel / type of engine Power ISO 3046 / at speed Torque ISO 3046 / at speed Displacement / no. of cylinders Alternator, type / power Starting battery, voltage / capacity Fuel consumption, normal driving	kW(hp) / rpm Nm / rpm  W / Amp V / Ah L / h	*Scania DI-12-54A Diesel/ 4 -stroke 243 (330) / 2100 1589 / 1400 12,0 / 6 AC / 1820 / 65 2 x 12 / 140 15 - 18
*EU stage III requires Scania DC 12 58 A (257kW,350 hp@2100 rpm - 1544/1200 Nm/rpm)		
<b>Transmission with electronic controlled gear shift</b> Gearbox, make / type designation Clutch, type Gearbox, type No. of gears, forward / reverse Drive axle, type		Dana / TE-27000 Torque converter Powershift 4 / 4 Kessler D102
<b>Wheels</b> No. of wheels, front / rear Wheel dimensions, front / rear / ply Pressure, front and rear	In / No Mpa	4 / 2 18.00 x 25" / PR 40 1,0
<b>Steering and brake system</b> Steering system Driving brake system, type / affected wheels Parking brake system, type / affected wheels		Servo assisted Wet disc brakes / Drive axle Spring brake / Drive axle
<b>Volumes</b> Fuel, net Hydraulic system	L L	650 850
<b>Overload protection</b> Hydraulic oil pressure monitoring, machinery / attachment Noise level DIN 45635 (LM inside cab)	Mpa dB (A)	Electronic system 24 / 15 68

# SMV 4527 TB5

# KONECRANES®



060829/ 2

SMV 4527 TB5 / ENG / 070327

Konecranes Liftrucks reserves the right to alter design and material specification without prior notice.

## KONECRANES LIFTTRUCKS AB

Box 103  
SE-285 23 Markaryd  
SWEDEN

Visitors address  
Anders Anderssons väg 13

Phone +46 433 73 300  
Fax +46 433 73 310

[www.smvliftrucks.se](http://www.smvliftrucks.se)

E-mail  
[info@smvliftrucks.se](mailto:info@smvliftrucks.se)