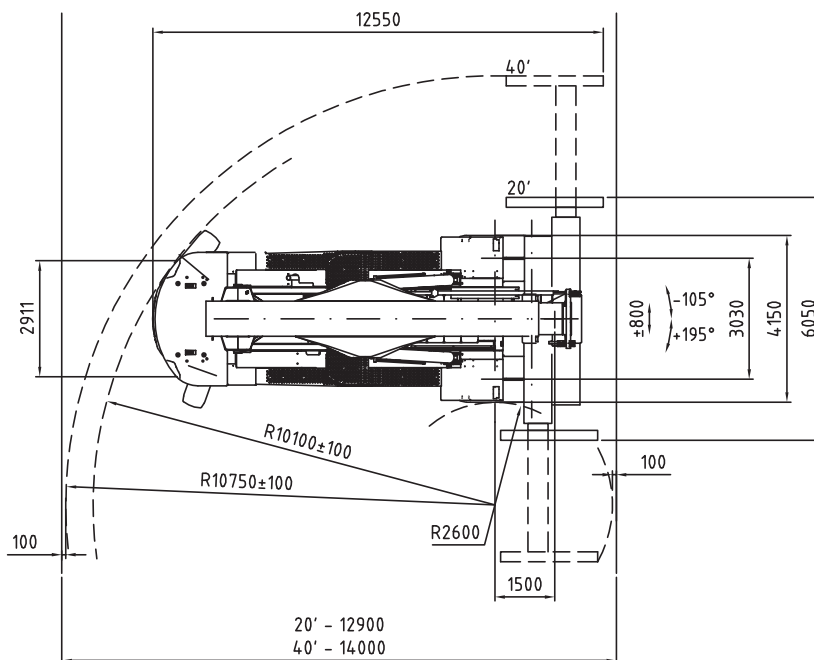
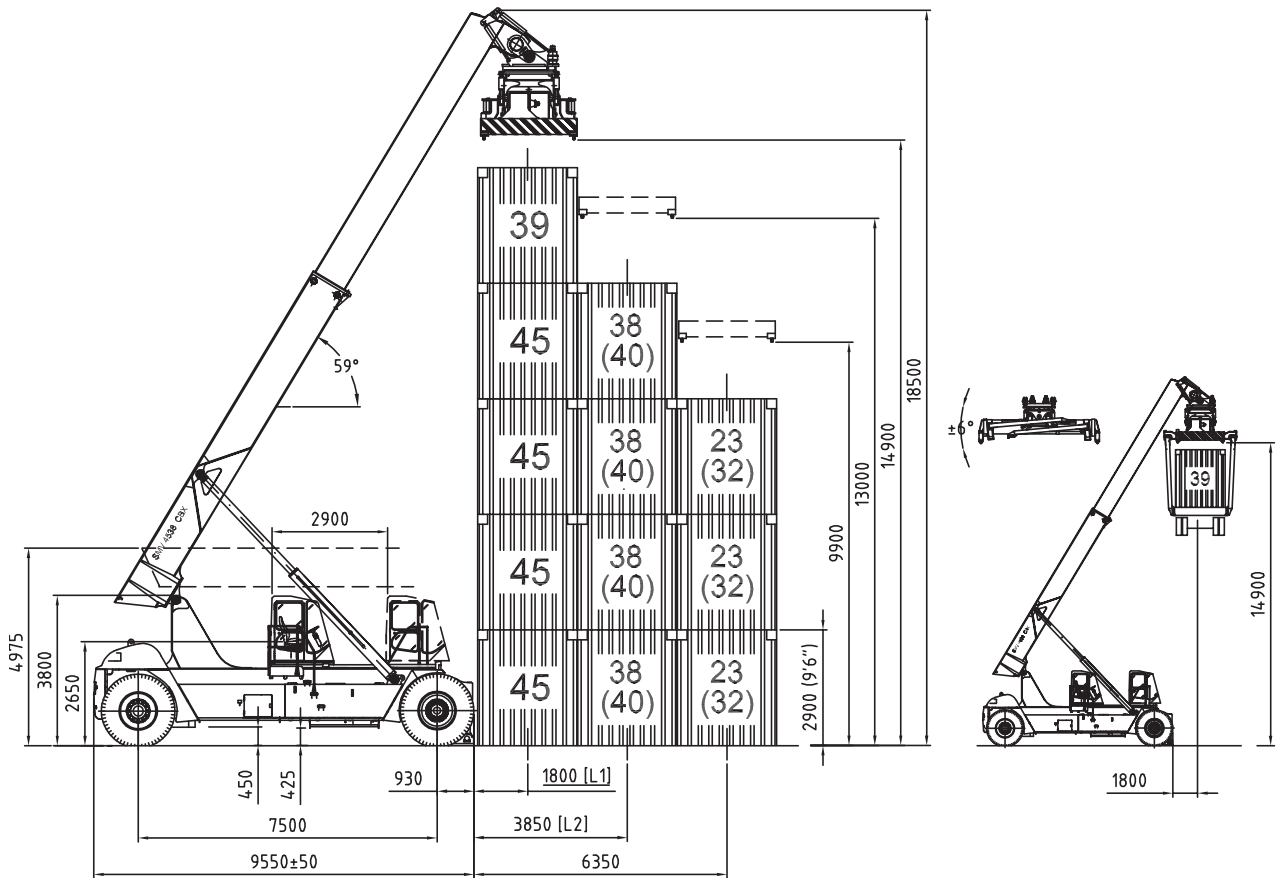


TECHNICAL DATA

Lifting data Lift capacity at loadcenter L1 / maximum height Lift capacity at loadcenter L2 / maximum height (support legs) Lift capacity at loadcenter L3 / maximum height (support legs) Lift speed, unloaded / 40 % load / at rated load Lowering speed, unloaded / at rated load	kg kg kg m/s m/s	45000 / 39000 38000 / 38000 (40000/40000) 23000 / 23000 (32000/32000) 0,37 / 0,34 / 0,22 0,35 / 0,40
Speeds Speed forward, unloaded / at rated load Speed reverse, unloaded / at rated load Incline, driving ability / at rated load at 0 km h / 2 km h Towing ability at rated load at 0 km h / 2 km h	km/h km/h % kN	24,5 / 22 24,5 / 22 23 / 17 260 / 214
Weight Service weight Axle pressure front at loadcenter L1, unloaded / at rated load Axle pressure front at loadcenter L2, unloaded / at rated load (support legs) Axle pressure front at loadcenter L3, unloaded / at rated load (support legs) Axle pressure rear at loadcenter L1, unloaded / at rated load Axle pressure rear at loadcenter L2, unloaded / at rated load (support legs) Axle pressure rear at loadcenter L3, unloaded / at rated load (support legs) Axle load in driving position, front / rear	kg kg kg kg kg kg kg kg kg	90000 48000 / 109200 53700 / 116100 (49700/109400) 60400 / 105800 (55800/113300) 42000 / 25800 36300 / 11900 (40300/20600) 29600 / 7200 (34200/8700) 105600 / 29400
Engine (electronically controlled) Make, type designation (*EU Stage II certified) Fuel / type of engine Power ISO 3046 / at speed Torque ISO 3046 / at speed Displacement / no. of cylinders Alternator, type / power Starting battery, voltage / capacity Fuel consumption, normal driving	kW(hp) / rpm Nm / rpm W / Amp V / Ah L / h	*Scania DI-12-54A Diesel / 4 -stroke 243 (330) / 2100 1589 / 1400 12,0 / 6 AC / 1820 / 65 2 x 12 / 140 15 - 18
*EU stage III requires Scania DC-12-58A (257kW, 350 hp@2100 rpm - 1544/1200 Nm/rpm)		
Transmission with electronic controlled gear shift Gearbox, make / type designation Clutch, type Gearbox, type No. of gears, forward / reverse Drive axle, type		Dana / TE-27000 Torque converter Powershift 4 / 4 Kessler D106
Wheels No. of wheels, front / rear Wheel dimensions, front / rear / ply Pressure, front and rear	In / No Mpa	4 / 2 18.00 x 33" / PR 36 1,0
Steering and brake system Steering system Driving brake system, type / affected wheels Parking brake system, type / affected wheels		Servo assisted Wet disc brakes / Drive axle Spring brake / Drive axle
Volumes Fuel, net Hydraulic system	L L	650 850
Overload protection Hydraulic oil pressure monitoring, machinery / attachment Noise level DIN 45635 (LM inside cab)	Mpa dB (A)	Electronic system 25 / 15 68

SMV 4538 CBX5

KONECRANES®



060926/3

SMV 4538 CBX5 / ENG / 070413

Konecranes Liftrucks reserves the right to alter design and material specification without prior notice.

KONECRANES LIFTRUCKS AB

Box 103
SE-285 23 Markaryd
SWEDEN

Visitors address
Anders Anderssons väg 13

Phone +46 433 73 300
Fax +46 433 73 310

www.smvliftrucks.se

E-mail
info@smvliftrucks.se