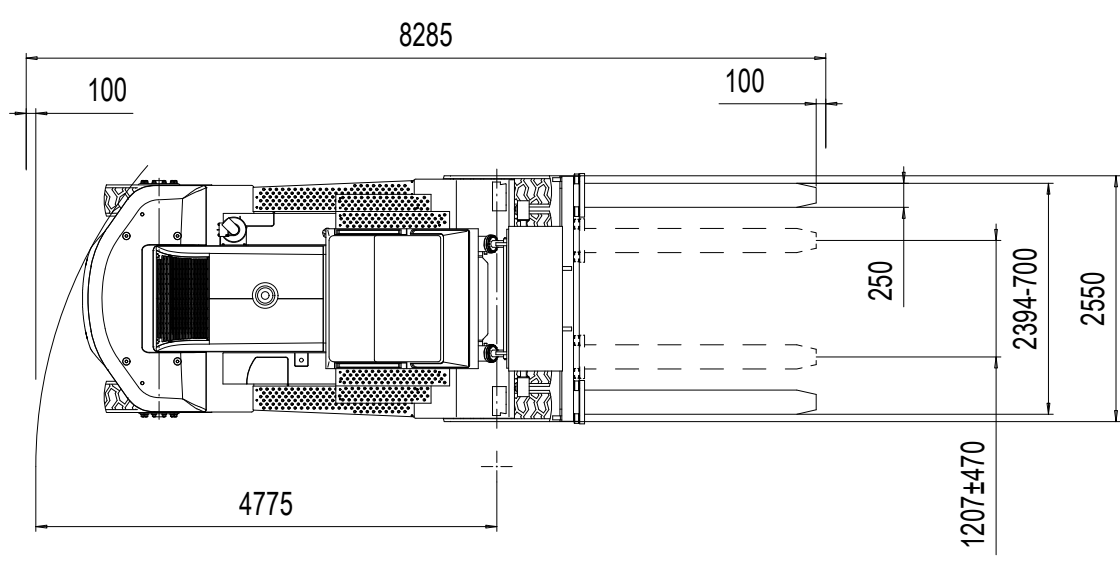
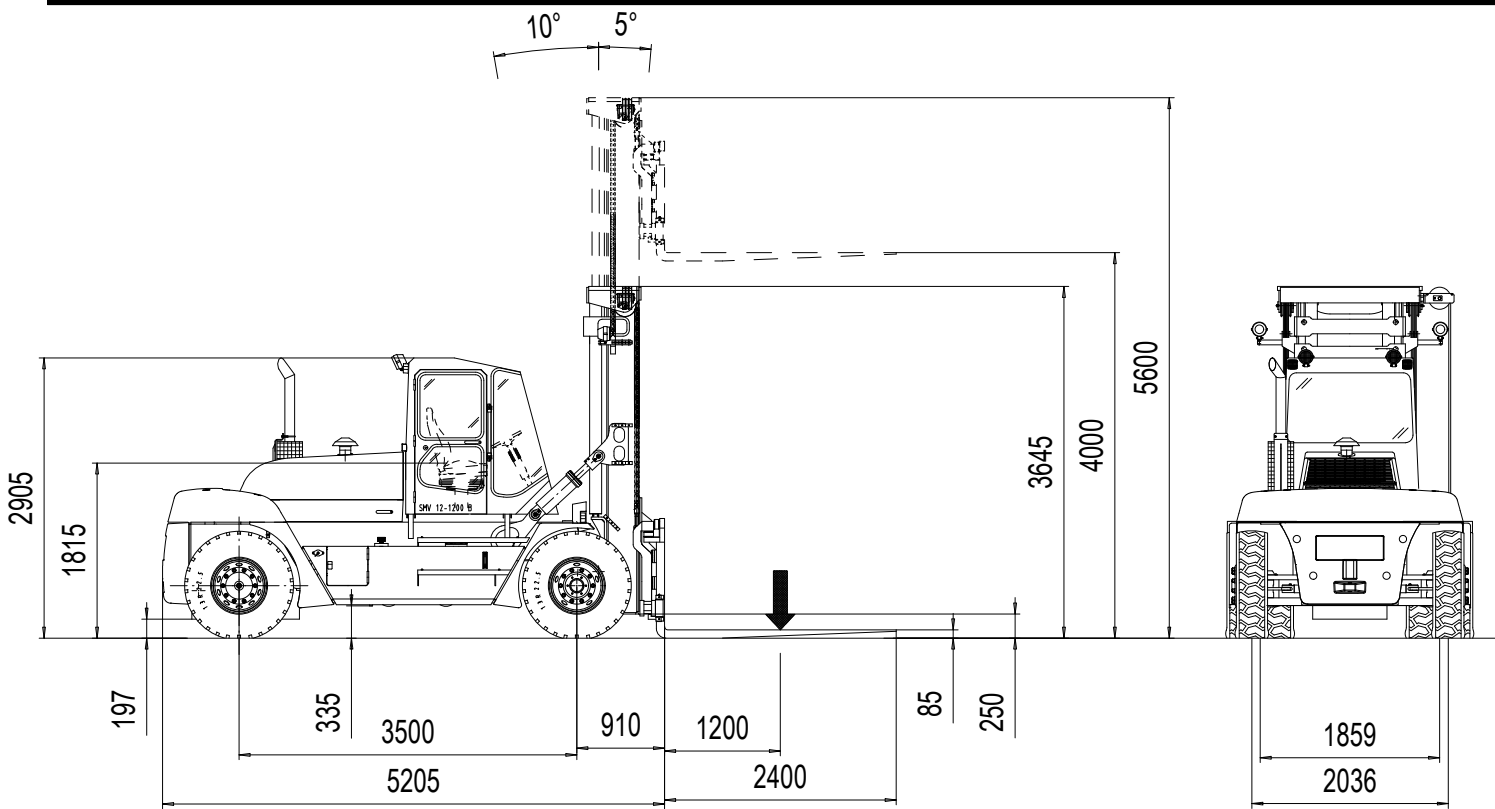


## TECHNICAL DATA : SMV 12-1200 B

|  |            |  |
|--|------------|--|
| <b>LIFTING DATA</b>  |            |  |
| Lifting capacity / Load center (up to 7000 mm / standard mast) | kg / mm    | 12000 / 1200                                   |
| Lifting speed, unloaded / at rated load                        | m/s        | 0,40 / 0,35                                    |
| Lowering speed, unloaded / at rated load                       | m/s        | 0,40 / 0,40                                    |
| <b>DRIVING DATA</b>  |            |  |
| Drive speed forward, unloaded / at rated load                  | km/h       | 30 / 30  |
| Drive speed reverse, unloaded / at rated load                  | km/h       | 30 / 30  |
| Incline (driving ability) at rated load at 0 km/h/at 2 km/h    | %          | 34 / 27  |
| Towing (power ability) at rated load at 0 km/h/at 2 km/h       | kN         | 107 / 85                                       |
| <b>SERVICE WEIGHT / AXLE PRESSURE</b>                          |            |  |
| Service weight   | kg         | 19900  |
| Axle pressure front, unloaded / at rated load                  | kg         | 10500 / 29800                                  |
| Axle pressure rear, unloaded / at rated load                   | kg         | 9400 / 2200                                    |
| <b>ENGINE (electronic controlled)</b>                          |            |  |
| Engine make / model name                                       |            | Volvo TAD-620-VE                               |
| Emission approval EU / US                                      |            | St II / Tier 2                                 |
| Monitoring / emission controlled / CanBus                      |            | Yes / yes / yes                                |
| Fuel / type of engine / intercooler                            |            | Diesel/4-stroke/ yes                           |
| Power ISO 3046 / at speed                                      | kW / rpm   | 147 / 2300                                     |
| Torque ISO 3046 / at speed                                     | Nm / rpm   | 700 / 1500                                     |
| Displacement / No. of cylinders / type                         | L / /      | 5,7 / 6-cyl / Inline                           |
| Fuel consumption, normal driving                               | L/h        | 8 – 10   |
| Alternator, type/power   | W / Amp    | AC / 1540 / 55                                 |
| Starting battery, voltage/capacity                             | V / Ah     | 2 x 12 / 88                                    |
| <b>TRANSMISSION (electronic controlled)</b>                    |            |  |
| Transmission make / model name                                 |            | Dana TE-17300                                  |
| Monitoring / reverse protection / CanBus                       |            | Yes / yes / yes                                |
| Clutch, type   |            | Torque converter                               |
| Transmission type / type of shift gear                         |            | Softshift – Powershift / Automatic             |
| No. of gears, forward/reverse                                  |            | 3 / 3  |
| <b>DRIVE AXLE &amp; STEER SYSTEM</b>                           |            |  |
| Drive axle make / model name                                   |            | Kessler D81                                    |
| Drive axle type / drive axle width                             | / mm       | Differential + hub reduction / 2550            |
| Service brake system, type / affected wheels                   |            | Oil cooled Wet Disc Brakes / drive wheels      |
| Parking brake system, type / affected wheels                   |            | Dry disc brake / spring release / drive wheels |
| <b>STEER AXLE &amp; STEER SYSTEM</b>                           |            |  |
| Steer axle make / type   |            | Konecranes / double acting single cylinder     |
| Steering system  |            | Hydraulic servo assisted / power steering      |
| <b>WHEELS</b>  |            |  |
| Number of wheels, front+rear / Type (*driven)                  |            | 4*+2 / pneumatic                               |
| Tire pressure front / rear                                     | MPa        | 1,0 / 1,0                                      |
| Tire dimensions (Ply rating) front / rear                      | Inch (No)  | 12.00 x 20" (PR 20) / 12.00 x 20" (PR 20)      |
| Rim dimension front / rear                                     | Inch       | 8.00 x 20" / 8.00 x 20"                        |
| <b>HYDRAULIC SYSTEM</b>  |            |  |
| Hydraulic pump make / model name                               |            | Parker & Hannifin / P2-series                  |
| Hydraulic system / pump type                                   |            | Load sensing system / variable piston pump     |
| Power-on-demand / Low energy                                   |            | Yes / yes                                      |
| Hydraulic oil pressure mast                                    | MPa        | 18   |
| <b>TANK VOLUMES</b>  |            |  |
| Diesel tank volume   | L          | 206  |
| Hydraulic tank volume  | L          | 227  |
| <b>LIFTING EQUIPMENT</b>                                       |            |  |
| Lift mast make / model   |            | Konecranes / Duplex standard                   |
| Lift mast type / design  |            | 2-stage / free visibility                      |
| Fork carriage make / model                                     |            | Konecranes / integral double forks             |
| Fork carriage type   |            | Hydraulic side shift & fork positioning        |
| <b>OTHERS</b>  |            |  |
| Noise level (inside Cab / Lm) DIN 45635                        | dB(A)      | 68   |
| Noise level (inside Cab/ LpAZ) EN 12053                        | dB(A)      | 72   |
| Noise level (outside at 7 m/ Lwa) 2000/14/EC                   | dB(A)      | 109  |
| <b>NORMS &amp; STANDARDS</b>                                   |            |  |
| Machine Directive in Europe                                    | 98 / 37 EC | Yes  |
| Stability of Industrial Trucks                                 | ISO 1074   | Yes  |
| Safety of Industrial Trucks                                    | EN 1551    | Yes  |

# TECHNICAL DATA

## SMV 12-1200 B



SMV 12-1200B

