

TECHNICAL DATA : SMV 45 G4S

LIFTING DATA		
Lift capacity / Min Load center (up to max lift height)	kg / mm	43000 / 1490
Lift capacity / Max Load center (up to max lift height)	kg / mm	41000 / 1730
Stacking height (of 9'6" / 8'6" containers)		4 / 4
Lifting speed, unloaded / at rated load	m/s	0,26 / 0,21
Lowering speed, unloaded / at rated load	m/s	0,40 / 0,40
DRIVING DATA		
Drive speed forward, unloaded / at rated load	km/h	24 / 22
Drive speed reverse, unloaded / at rated load	km/h	24 / 22
Incline (driving ability) at rated load at 0 km/h/at 2 km/h	%	29 / 22
Towing (power ability) at rated load at 0 km/h/at 2 km/h	kN	314 / 251
SERVICE WEIGHT / AXLE PRESSURE		
Service weight	kg	64500
Axle pressure front at LC1, unloaded / at rated load	kg	39300 / 100800
Axle pressure rear at LC2, unloaded / at rated load	kg	25200 / 6700
ENGINE (electronic controlled)		
Engine make / model name		Scania DI-12-54A
Emission approval EU / US		EU Stage II / US Tier 2
Monitoring / emission controlled / CanBus		Yes / yes / yes
Fuel/type of engine/intercooler		Diesel / 4-stroke / yes
Power ISO 3046 / at speed	kW / rpm	243 / 2100
Torque ISO 3046 / at speed	Nm / rpm	1589 / 1200
Displacement / No. of cylinders / Type	L / /	11,7 / 6-cylinder / Inline
Fuel consumption, normal drive	L/h	14 - 16
Alternator, type/power / capacity	/ W / Amp	AC / 1820 / 65
Starting battery, voltage/capacity	V / Ah	2 x 12 / 140
TRANSMISSION (electronic controlled)		
Transmission make / model name		Dana TE-27400
Monitoring / reverse protection / CanBus		Yes / yes / yes
Clutch, type		Torque converter
Transmission type / type of shift gear		Softshift - Powershift / Automatic
No. of gears, forward/reverse		4 / 4
DRIVE AXLE & BRAKE SYSTEM		
Drive axle make / model name		Kessler D102
Drive axle type / drive axle width	/ mm	Differential + hub reduction / 4160
Driving brake system, type / affected wheels		Oil cooled Wet Disc Brakes / drive wheels
Parking brake system, type / affected wheels		Dry disc brake / spring release / drive wheels
STEER AXLE & STEER SYSTEM		
Steer axle type / steering system		Double acting cylinder / hydraulic servo assisted
WHEELS		
Number of wheels, front + rear / type (*driven)		4*+2 / pneumatic
Tire pressure front / rear	MPa	1,0 / 1,0
Tire dimensions (Ply rating) front / rear	Inch (No)	18.00 x 25" (PR 40) / 18.00 x 25" (PR 40)
Rim dimension front / rear	Inch	13.00 x 25" / 13.00 x 25"
HYDRAULIC SYSTEM		
Hydraulic pump make / model name		Parker & Hannifin / P2-series
Hydraulic system / pump type		Load sensing system / variable piston pump
Power-on-demand / Low energy		Yes / yes
Hydraulic oil pressure mast / spreader	MPa / MPa	23 / 15
TANK VOLUMES		
Diesel tank volume	L	550
Hydraulic tank volume	L	620
LIFT EQUIPMENT & SPREADER		
Lift mast model / mast type / design		Duplex standard / 2-stage / free visibility
Spreader make / model name		ELME 818
Spreader type / capacity		Toplift telescopic / 20-40 ft containers
Spreader locking type / No. of containers		4 x top twist locks / 1
Sideshift stroke / liftingeyes	mm	± 200 / 4 x in the corners
Spreader slew-turn / spreader reach stroke	Deg / mm	± 3 / 0 - 240 (each side)
Pile Slope type / pile slope stroke (side tilt)	/ Deg	Mechanical MPS / (± 4,8)
OTHERS		
Noise level (inside Cab / Lm)	DIN 45635	dB(A) 73
Noise level (inside Cab/ LpAZ)	EN 12053	dB(A) 76
Noise level (outside at 7 m/ Lwa)	2000/14/EC	dB(A) 111
NORMS & STANDARDS		
Machine Directive in Europe	98 / 37 EC	Yes
Stability of Industrial Trucks	ISO 1074	Yes
Safety of Industrial trucks	EN 1551	Yes

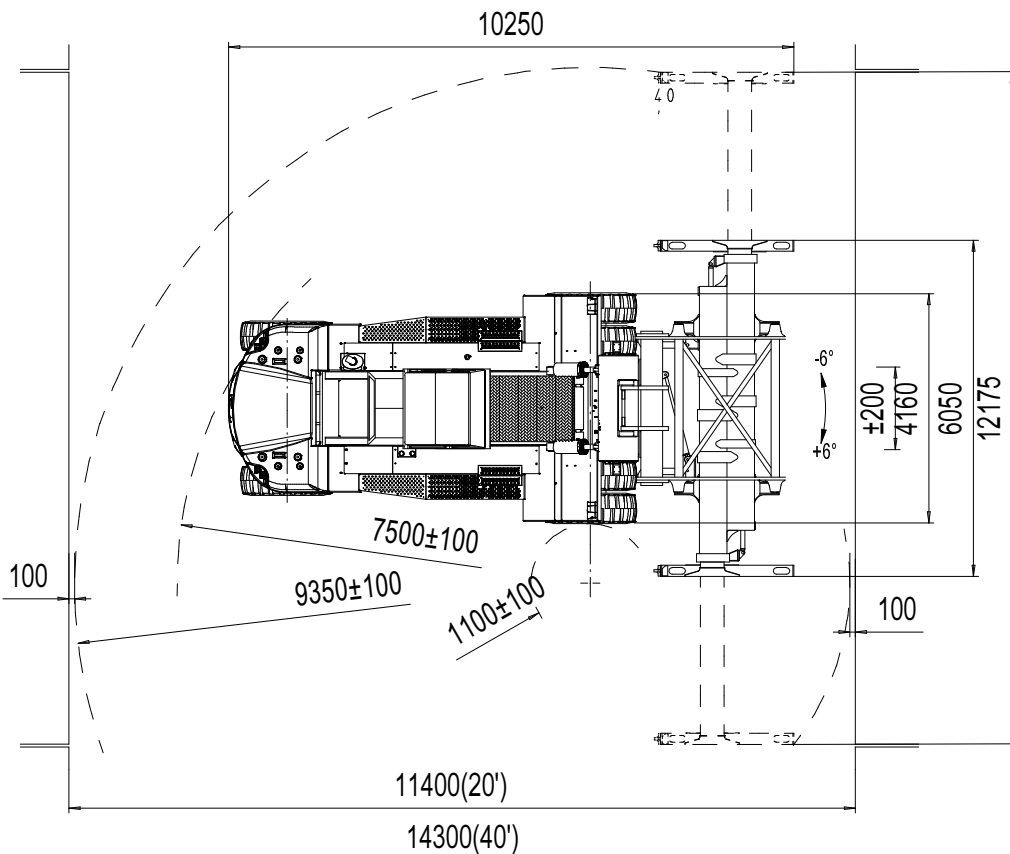
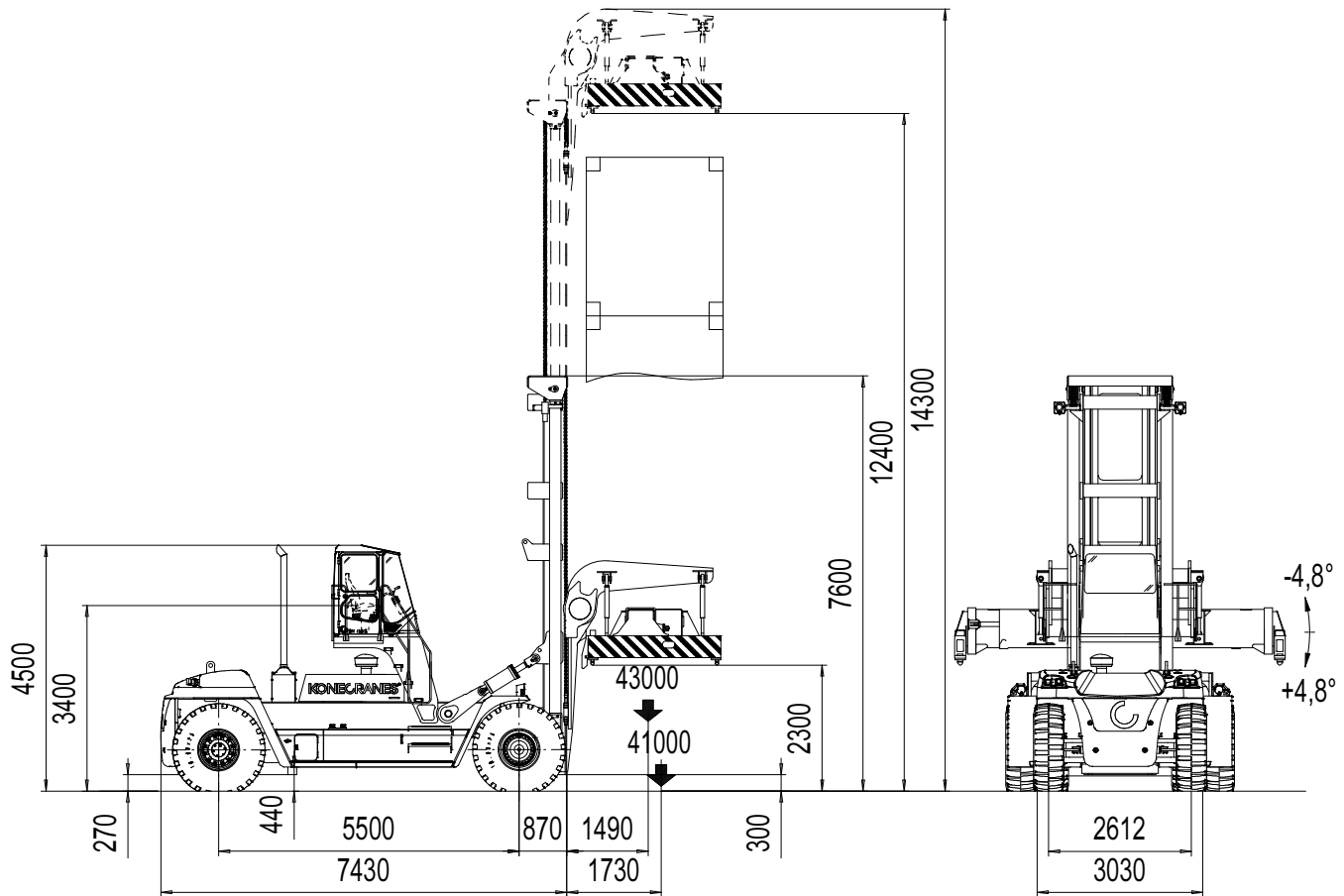
TECHNICAL DATA

SMV 45 G4S

KONECRANES®

Lifting Businesses™

10° 2° [9' 6"]



KONECRANES LIFTTRUCKS AB

Box 103, SE-28523 Markaryd, SWEDEN

Phone: +46-433-733 00 / Fax: +46-433-733 10

www.konecraneslifttrucks.se

Mail: info.lifttrucks@konecranes.com

Konecranes Lifttrucks reserve the right to alter design and specification without prior notice